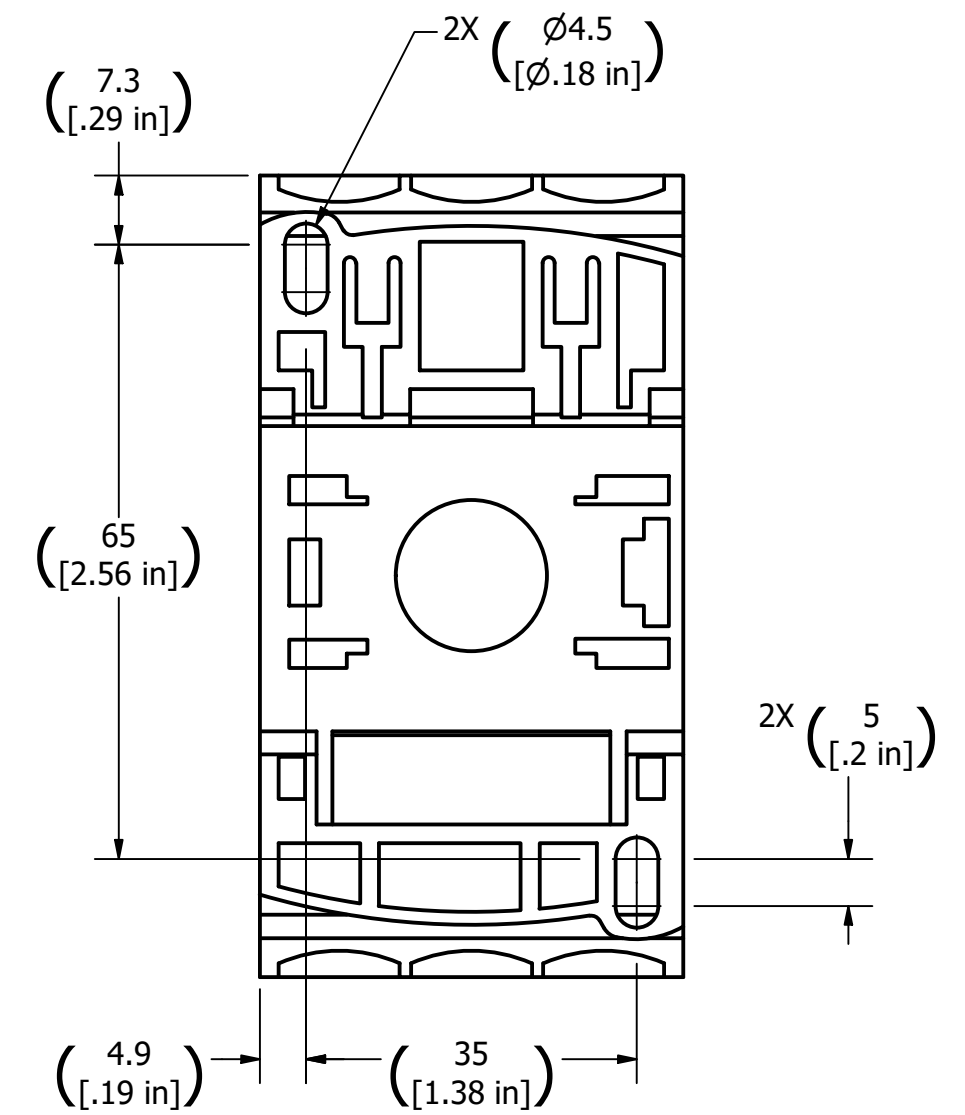
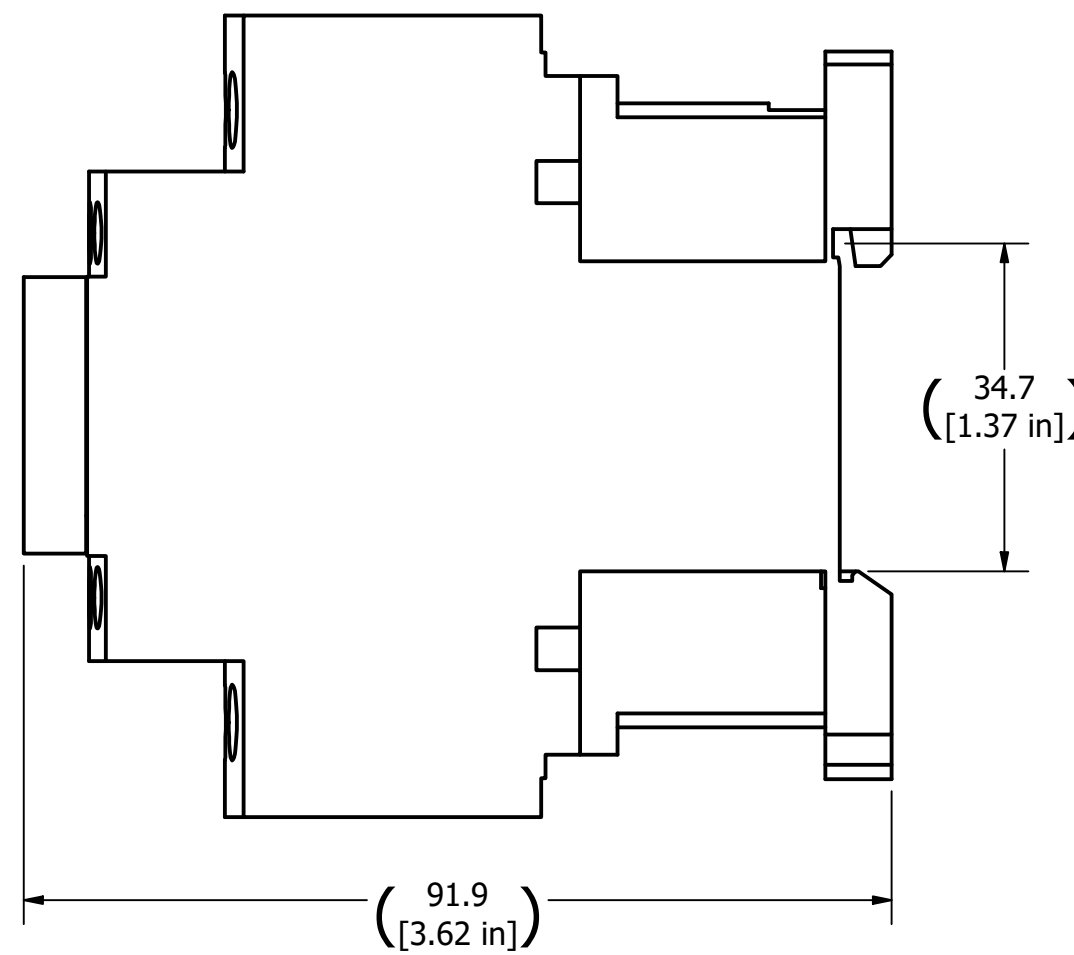
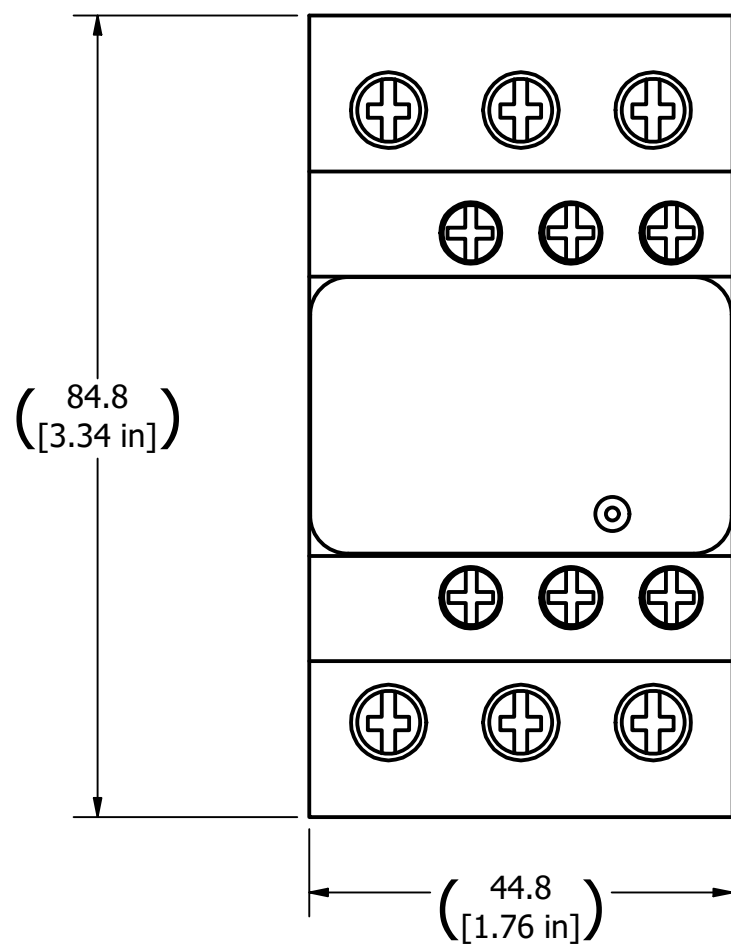
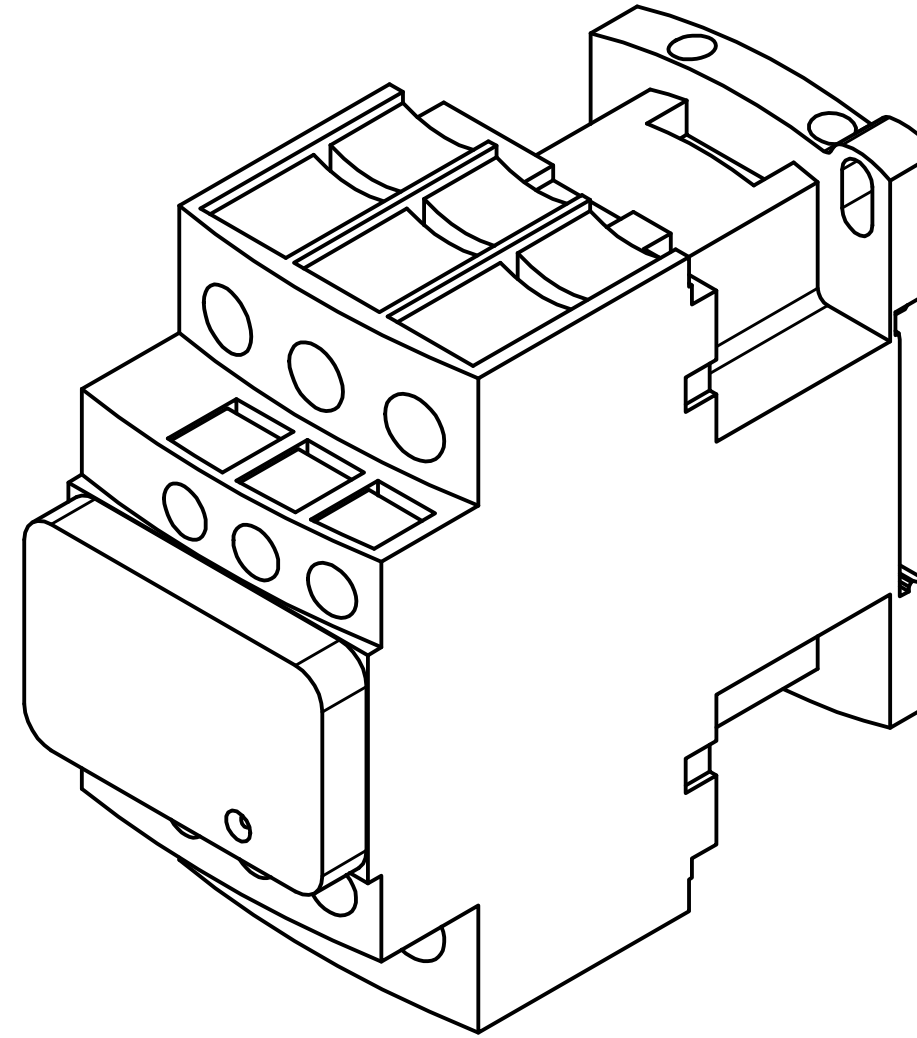
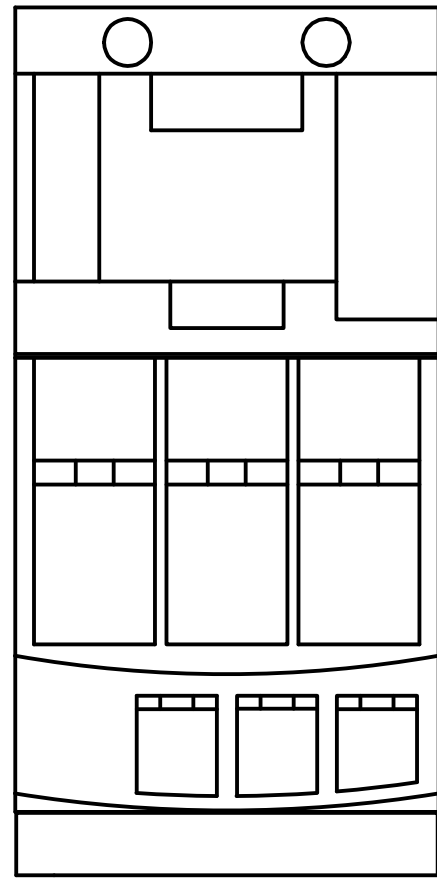

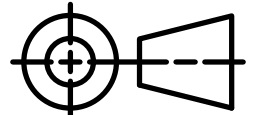


NOTES:

1. DIMENSIONS ENCLOSED IN PARENTHESIS ARE REFERENCE DIMENSIONS, THIS IS AUXILIARY INFORMATION AND DOES NOT GOVERN PRODUCTION OR INSPECTION OPERATIONS.
2. CONTROL CIRCUIT VOLTAGE: 120 VAC (50/60 HZ)
3. CURRENT RATING: 32 A
4. DIN RAIL SIZE: 35

REVISION HISTORY				
REV	RAD	DESCRIPTION	DATE	APPROVED
A	-	INITIAL RELEASE	6/12/2024	MV



UNLESS OTHERWISE SPECIFIED DIMENSIONS ARE IN MILLIMETERS INTERPRET DIMENSIONS AND TOLERANCES PER ASME Y14.5-2018		AUTHOR Esteban.Loera	DATE 6/12/2024	 1401 W STANFORD AVE ENGLEWOOD, CO 80110 P: (800) 442-7628 F: (303) 781-2683 E: info@garmat.com	
THIRD ANGLE PROJECTION		CHECKED BY MV	DATE 9/18/2024		
		ENG APPROVAL MV	DATE 9/18/2024		
		MFG APPROVAL	DATE		
DESCRIPTION				CONTACTOR, NON-REVERSING, 3 NO, 32A, 120VAC	
SIZE	DWG NO	REV			
C	2-CTCR-32A-120VAC	A			
SCALE	5:4	WEIGHT	0.375 kg	SHEET	1 of 1